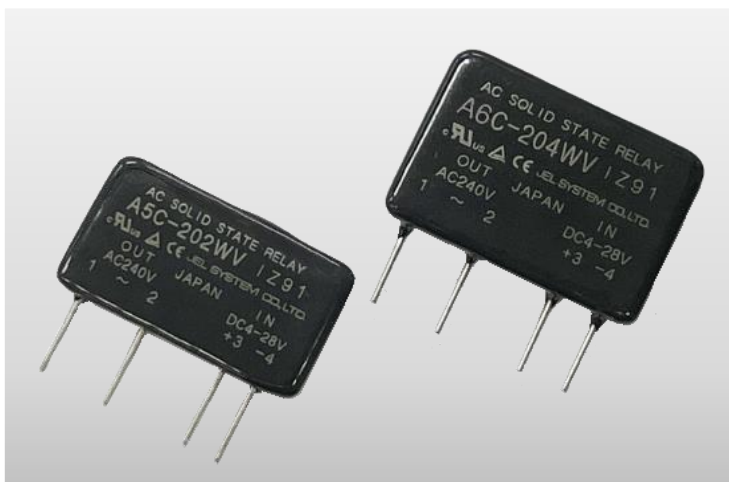


A5C series A6C series

Standard package of PCB mounted SSR for AC load

- Maximum Load Current 2A・3A・4A
- Input Voltage Range DC4~28V (Wide Range)
- Dielectric Strength 3000V (Reinforced insulation)
- Between inputs terminal 5.08mm (A5C series)
7.62mm (A6c series)
- Approved Standards UL, C-UL, TÜV
- Built-in Zero Cross turn on

※Please contact us if you would like a product not built-in zero cross turn on.



■ Ratings

(Ta=25°C)

Items		Symbols	A5C-202WV A6C-202WV	A5C-203WV A6C-203WV	A5C-204WV A6C-204WV	Units
Output	Rated Load Voltage		120・240			VACrms
	Maximum Load Current	IOMAX	2	3	4	AACrms
	Maximum Load Voltage	VOMAX	264			VACrms
	Peak Repetitive Off State Voltage	VDRM	600			V
	Peak 1 Cycle Surge Current	ISURGE	30(50Hz)	40(50Hz)	50(50Hz)	A
	Frequency	f	50・60			Hz
Input	Maximum Input Voltage	VIMAX	28			VDC
	Maximum Input Current	IIMAX	20			mADC
General	Dielectric Strength	VISO	3,000 / 1min (Between input and output Rh40~60%)			VACrms
	Isolation Resistance	RISO	10 ⁸ MIN at DC 500V (Between input and output Rh40~60%)			Ω
	Operating Temperature Range	TOPR	-20~80			°C
	Storage Temperature Range	TSTG	-30~100			°C

■ Electrical Characteristics

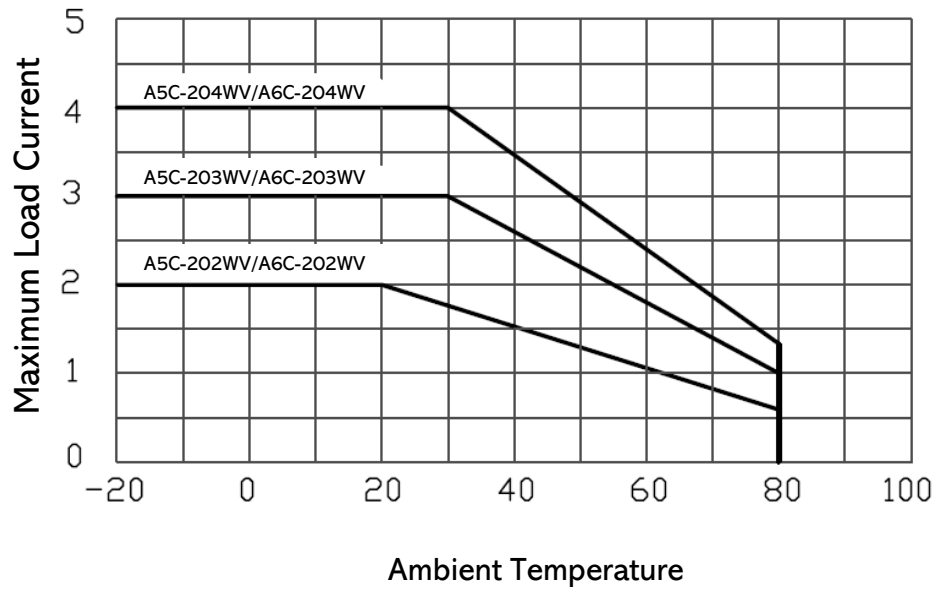
(Ta=25°C)

Items		Symbols	A5C-202WV A6C-202WV	A5C-203WV A6C-203WV	A5C-204WV A6C-204WV	Units
Output	Load Voltage Range	VO	50~264			VACrms
	Off State Leakage Current	ILEK	5.0 MAX (VO=200V)			mAACrms
	On State Voltage Drop	VSAT	1.5 MAX			VACrms
	Minimum Load Current	IOMIN	20			mA
Input	Input Voltage Range	VI	4~28			VDC
	Operate Voltage	VP	4 MAX			VDC
	Release Voltage	VD	1 MIN			VDC
General	Operate Time	TON	1/2cycle + 1ms MAX			
	Release Time	TOFF	1/2cycle + 1ms MAX			
	Capacitance (Input - Output)	CIO	15 MAX	50 MAX		PF
	Zero Cross turn On		Built In			
	Approved Standards		UL C-UL TÜV			

※ There may be changes made to these contents

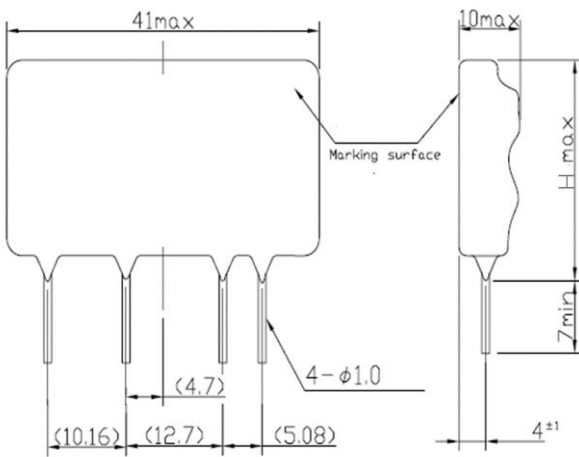
■ Characteristics

Maximum Load Current VS Ambient Temperature

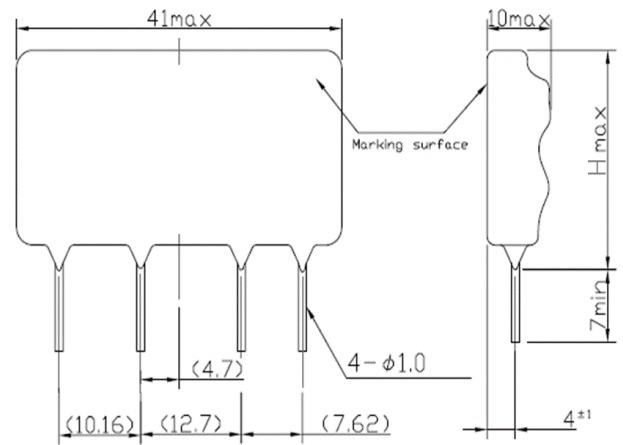


■ Dimensions (mm)

A5C-202WV A5C-203WV A5C-204WV

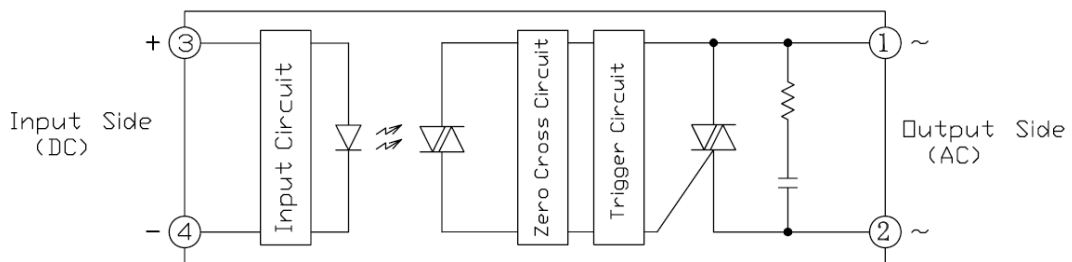


A6C-202WV A6C-203WV A6C-204WV



Model	Size	H(mm)
A5C-202WV/A6C-202WV		26
A5C-203WV/A6C-203WV		26
A5C-204WV/A6C-204WV		31

■ Equivalent Circuit



※ There may be changes made to these contents